

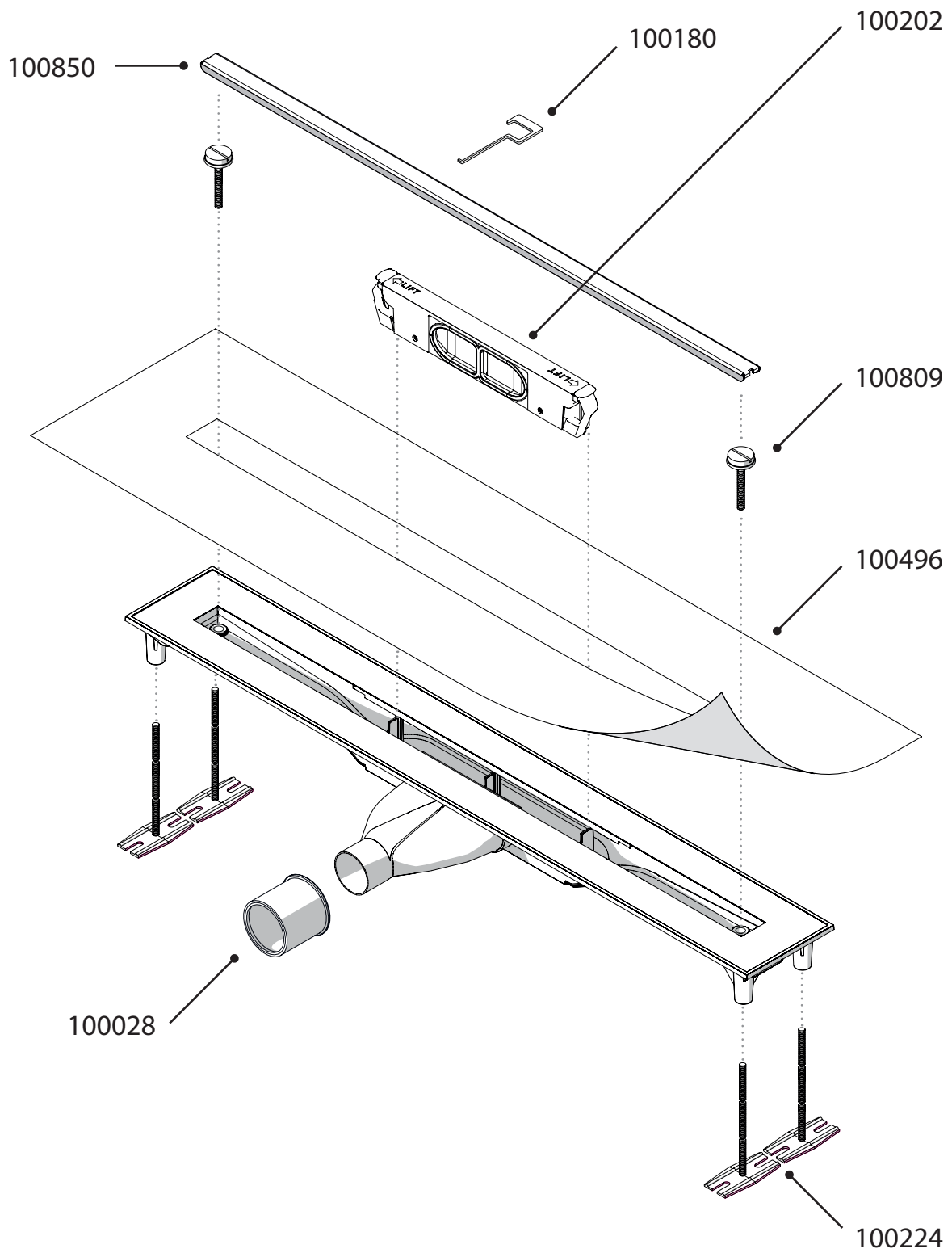
Technical Specifications

Mydrain **Secret Line 70**

X473XX SECRET LINE 70 **INOX** STAINLESS STEEL



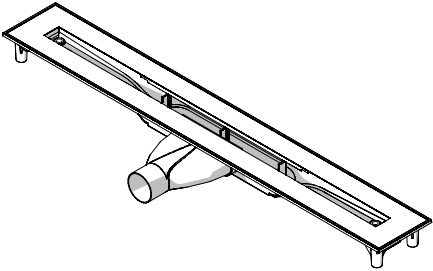
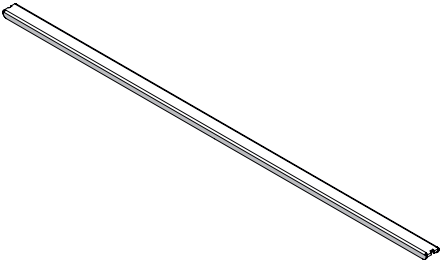
Mydrain **Secret Line 70** / Technical Specifications



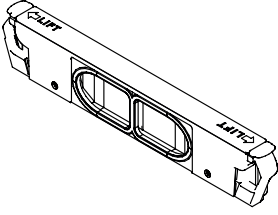
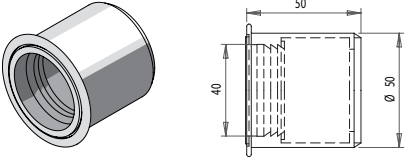
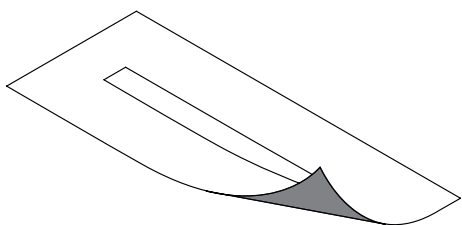
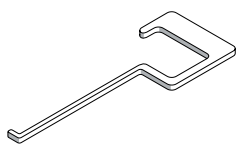
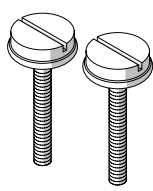
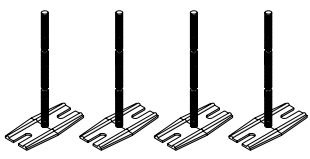
Mydrain **Secret Line 70** / Technical Specifications

Secret Line 70

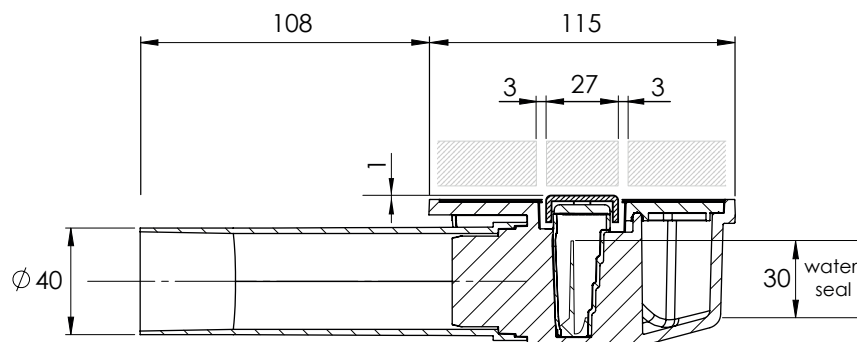
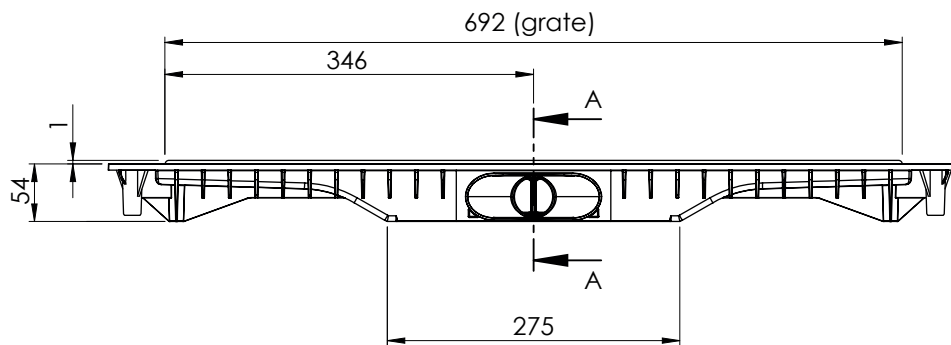
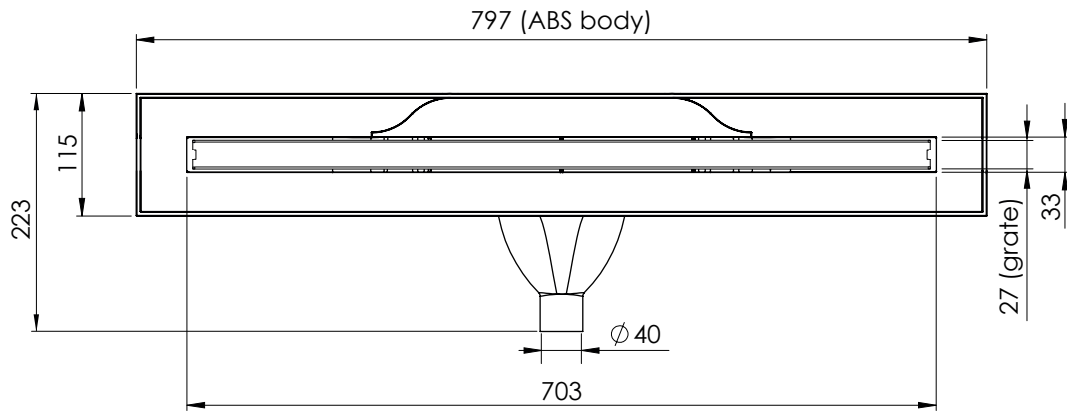
Box length	835 mm
Box width	235 mm
Box height	90 mm
Weight per box (=complete package)	2,50 kg
Weight per pallet incl. pallet	140 kg
Number of sets per box	1
Number of boxes per pallet	50

PART	DESCRIPTION	CODE
	<p>SECRET LINE BODY</p> <p>Material : High Heat ABS Dimensions : see later in this technical datasheet General : drainage system with patented "superflow" technology pre-glued Greenlox-flange (36mm) drainage capacity: see KIWA table max. water temperature = 90°C</p>	
	<p>GRILLE SECRET LINE</p> <p>Dimensions : L 692 mm x W 27 mm x H 12 mm Material : GRILLE SECRET LINE 70 INOX stainless steel 304</p>	100850

Mydrain **Secret Line 70** / Technical Specifications

PART	DESCRIPTION	CODE
	<p>SIPHON 100202</p> <p>Material : High Heat ABS + TPE Dimensions : water seal height = 30 mm General : drainage capacity: see KIWA table, not frost resistant</p>	100202
	<p>SLIDING SOCKET 40/50 100028</p> <p>Material : PP-Block Copolymere (PP-B), rubber seal Dimensions : diameter from 40 mm to 50 mm</p>	100028
	<p>SEPARATE GREENLOX FLANGE 100496</p> <p>Material : Greenlox-membrane with cutout Dimensions : GREENLOX FLANGE SECRET LINE 70 : L 1000 x W 350 x H 0,4 mm More info : see Greenlox technical datasheet</p>	100496
	<p>MULTI-KEY 100180</p> <p>Material : stainless steel 304 Dimensions : L 85 mm x W 30 mm x H 2 mm</p>	100180
	<p>ADJUSTING SCREW SET 100809</p> <p>Material : set of 2 ABS adjusting screws M6 Dimensions : H 54 x D 20 mm</p>	100809
	<p>FEET SET 100224</p> <p>Material : set of 4 ABS feet Dimensions : L 70 mm x W 33 mm x H 92 mm</p>	100224



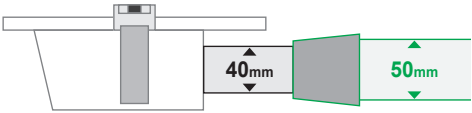
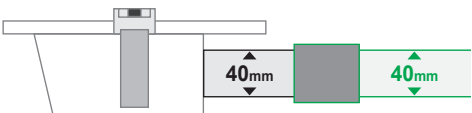
Mydrain **Secret Line 70** / Technical Specifications



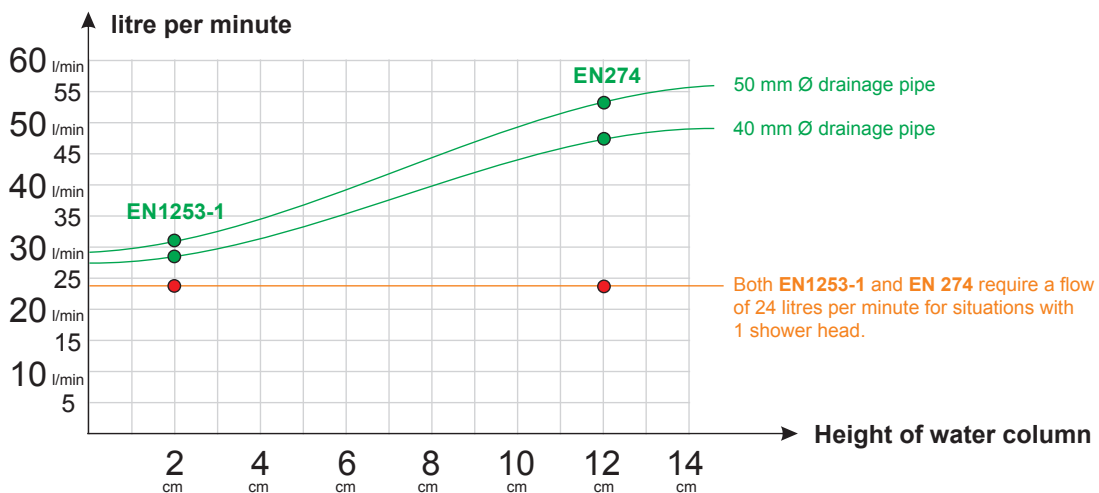
SECTION A-A

Mydrain Secret Line 70 / Drainage Rates



EN 1253-1	EN 274
<p>This testing method requires a 100 cm drainage pipe and a 20mm water column above the drainage grate.</p> <p style="text-align: center;">  </p>	<p>This testing method requires a 30 cm drainage pipe and a 120mm water column above the drainage grate.</p> <p style="text-align: center;">  </p>
<p style="text-align: center;">  </p> <p style="text-align: center;"> 30,8 l/min. =0,51l/sec. </p>	<p style="text-align: center;"> 53,3 l/min. =0,89l/sec. </p>
<p style="text-align: center;">  </p> <p style="text-align: center;"> 28,3 l/min. =0,47l/sec. </p>	<p style="text-align: center;"> 46,7 l/min. =0,78l/sec. </p>

FLOW CHART



January 2016
Report no.