

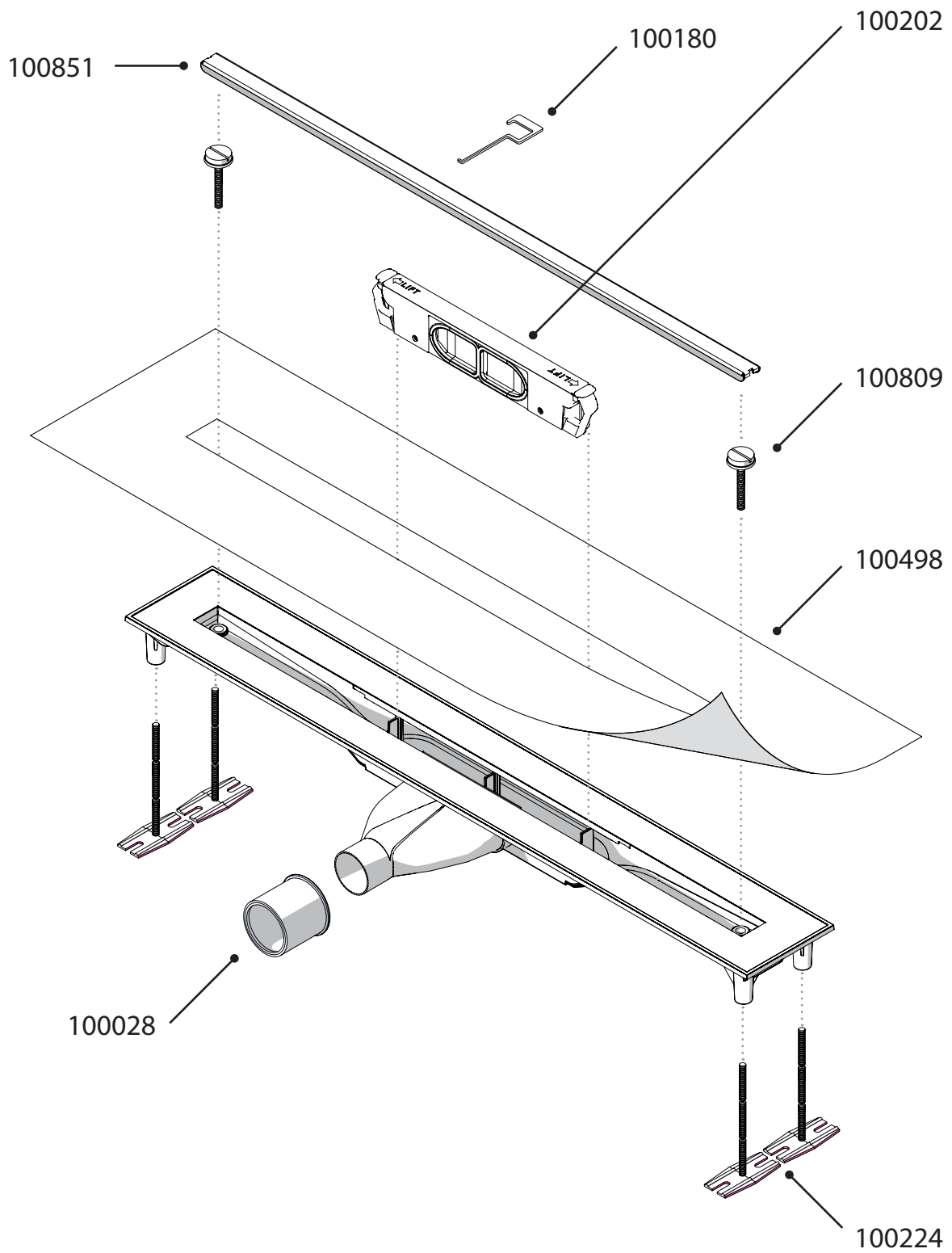
# Technical Specifications

## Mydrain **Secret Line 80**

X483XX SECRET LINE 80 **INOX** STAINLESS STEEL



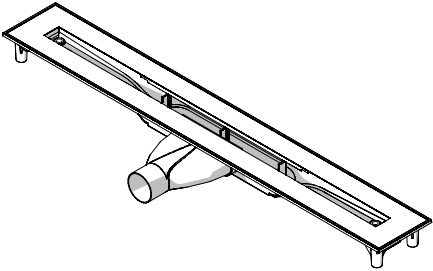
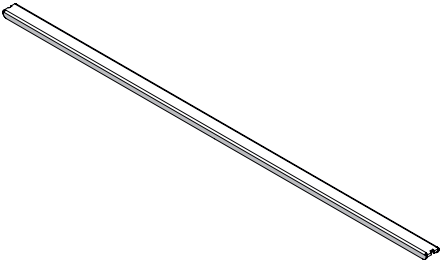
# Mydrain **Secret Line 80** / Technical Specifications



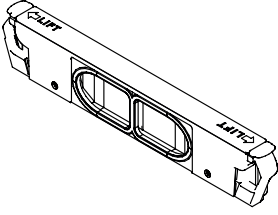
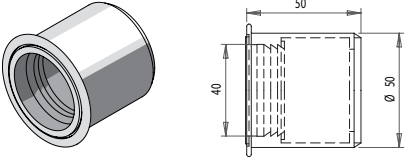
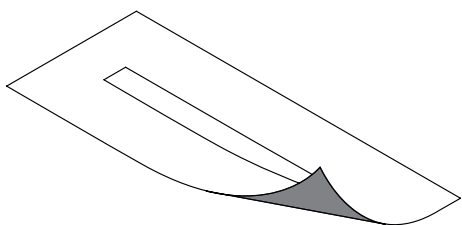
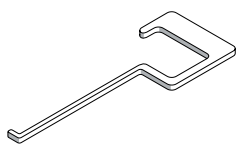
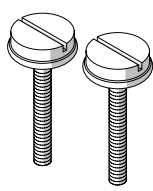
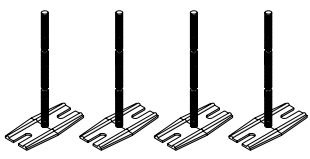
# Mydrain **Secret Line 80** / Technical Specifications

## Secret Line 80

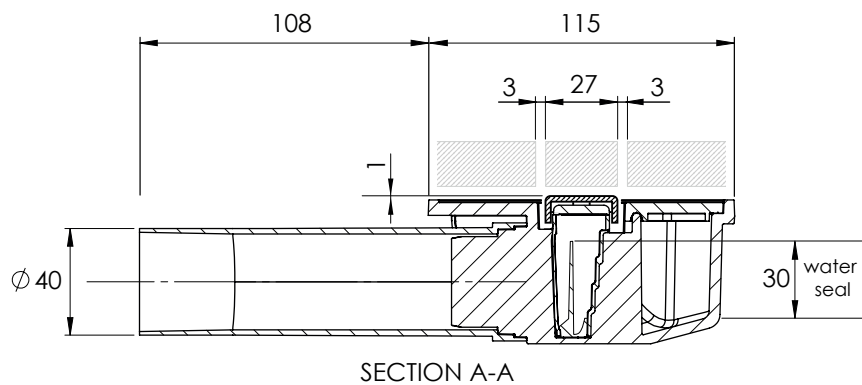
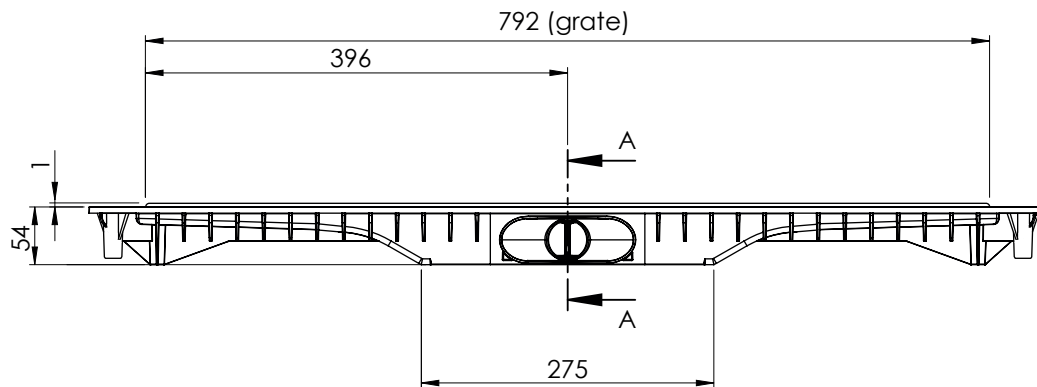
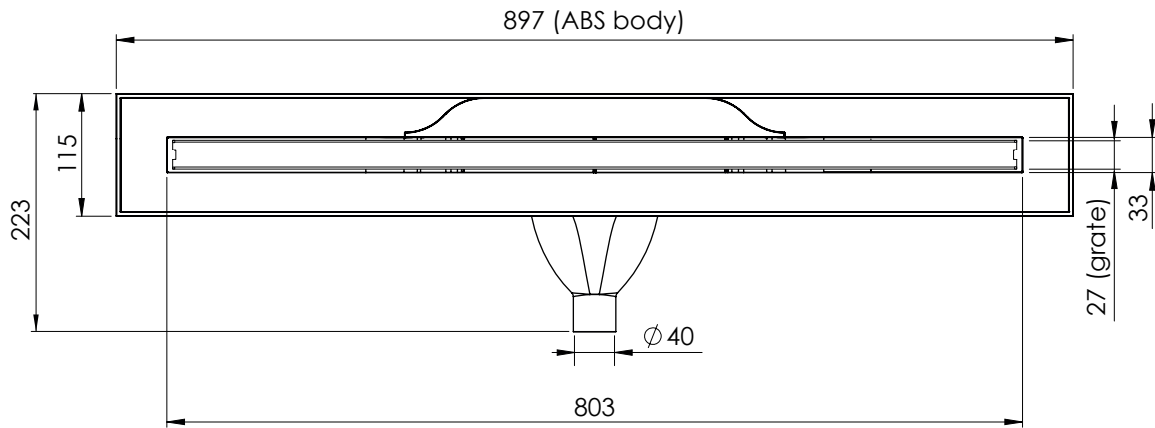
Box length	935 mm
Box width	235 mm
Box height	90 mm
Weight per box (=complete package)	2,70 kg
Weight per pallet incl. pallet	150 kg
Number of sets per box	1
Number of boxes per pallet	50

PART	DESCRIPTION	CODE
	<p><b>SECRET LINE BODY</b></p> <p><b>Material :</b> High Heat ABS  <b>Dimensions :</b> see later in this technical datasheet  <b>General :</b>                      drainage system with patented "superflow" technology                      pre-glued Greenlox-flange (36mm)                      drainage capacity: see KIWA table                      max. water temperature = 90°C</p>	
	<p><b>GRILLE SECRET LINE</b></p> <p><b>Dimensions :</b> L 792 mm x W 27 mm x H 12 mm  <b>Material :</b> GRILLE SECRET LINE 80 <b>INOX</b> stainless steel 304</p>	100851

# Mydrain **Secret Line 80** / Technical Specifications

PART	DESCRIPTION	CODE
	<p><b>SIPHON 100202</b></p> <p><b>Material :</b> High Heat ABS + TPE  <b>Dimensions :</b> water seal height = 30 mm  <b>General :</b> drainage capacity: see KIWA table, not frost resistant</p>	100202
	<p><b>SLIDING SOCKET 40/50 100028</b></p> <p><b>Material :</b> PP-Block Copolymere (PP-B), rubber seal  <b>Dimensions :</b> diameter from 40 mm to 50 mm</p>	100028
	<p><b>SEPARATE GREENLOX FLANGE 100498</b></p> <p><b>Material :</b> Greenlox-membrane with cutout  <b>Dimensions :</b>  GREENLOX FLANGE SECRET LINE 80 : L 1100 x W 350 x H 0,4 mm  <b>More info :</b> see Greenlox technical datasheet</p>	100498
	<p><b>MULTI-KEY 100180</b></p> <p><b>Material :</b> stainless steel 304  <b>Dimensions :</b> L 85 mm x W 30 mm x H 2 mm</p>	100180
	<p><b>ADJUSTING SCREW SET 100809</b></p> <p><b>Material :</b> set of 2 ABS adjusting screws M6  <b>Dimensions :</b> H 54 x D 20 mm</p>	100809
	<p><b>FEET SET 100224</b></p> <p><b>Material :</b> set of 4 ABS feet  <b>Dimensions :</b> L 70 mm x W 33 mm x H 92 mm</p>	100224

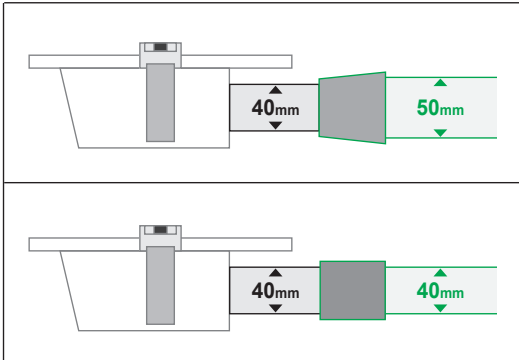
# Mydrain **Secret Line 80** / Technical Specifications



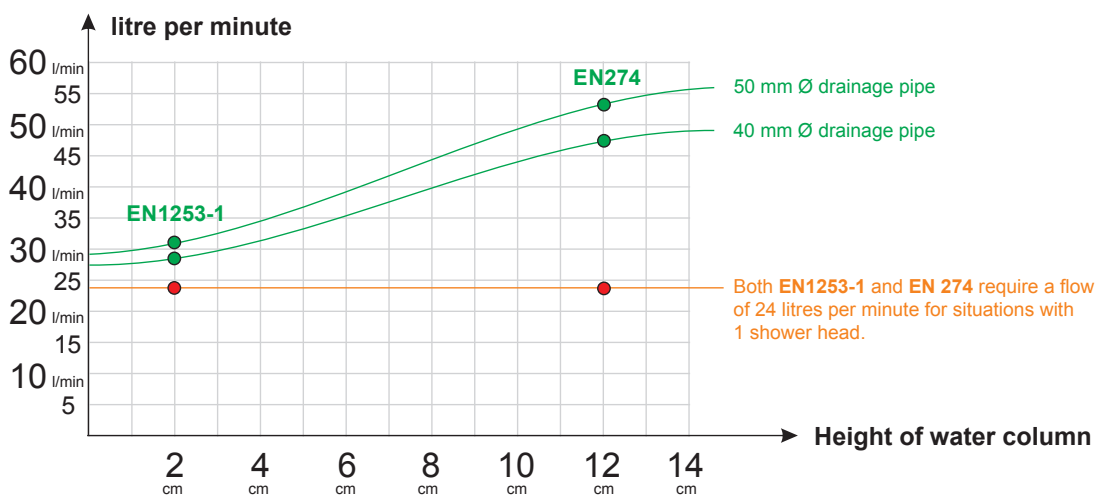
# Mydrain Secret Line 80 / Drainage Rates



EN 1253-1	EN 274
<p>This testing method requires a 100 cm drainage pipe and a 20mm water column above the drainage grate.</p> <p style="text-align: center;"> </p>	<p>This testing method requires a 30 cm drainage pipe and a 120mm water column above the drainage grate.</p> <p style="text-align: center;"> </p>
<p style="text-align: center;"><b>30,8 l/min.</b> =0,51l/sec.</p>	<p style="text-align: center;"><b>53,3 l/min.</b> =0,89l/sec.</p>
<p style="text-align: center;"><b>28,3 l/min.</b> =0,47l/sec.</p>	<p style="text-align: center;"><b>46,7 l/min.</b> =0,78l/sec.</p>



## FLOW CHART



January 2016  
Report no.